

Woodworking Vice Quick Release

WWV-DQ

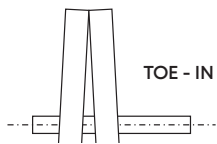
Traditional pattern woodworking vice equipped with the quick release mechanism

Press trigger to initiate quick action: front jaw slides freely allowing large or small work pieces to be interchanged smoothly. Release trigger to return to normal mechanism for fine adjustments

Works as a normal vice & a tail vice: Adjustable front dog used in conjunction with a bench stop allows oversized work pieces to be held securely

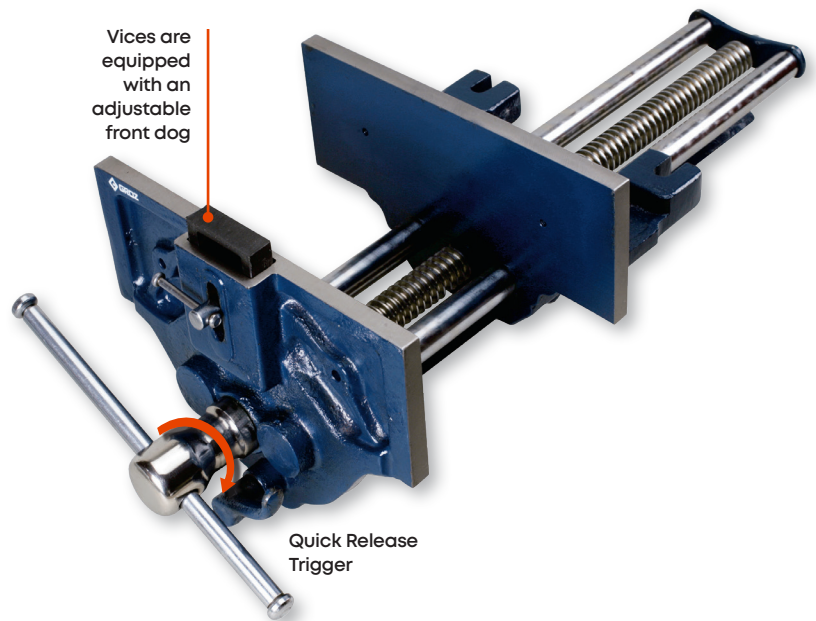
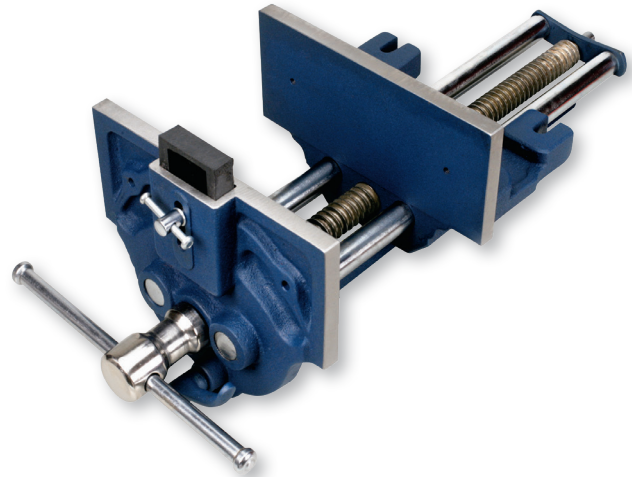
Manufactured from close-grained grey cast iron. Accurately machined housings for smooth sliding movement and true parallel action free of side or cross movement

Vice jaws are equipped with a "TOE - IN" feature. When fully closed the jaws meet only at the top to provide even clamping on the whole depth of the work piece



Steel main screw has Buttruss threads for smooth, accurate and responsive adjustment

Body and sliding jaw have provision for attaching wooden liners to protect the vice, the work piece and working tools



ORDERING INFORMATION

CAT NR.	ORD NR.	JAW WIDTH		JAW OPENING		NET WT (KGS)	BOX QTY.
		(INCH)	(MM)	(INCH)	(MM)		
WWV/D/Q/7	39007	7	175	8	200	8.0	3
* WWV/D/Q/9	39009	9	225	13.1/2	340	14.5	1
WWV/D/Q/10.5	39014	10.1/2	270	16	400	17.8	1

* Best Seller

