

Low Profile Truck Drain

TD-90

Designed for use with Heavy-Duty Trucks, Buses, RV's & other low profile automobiles.

Rugged steel construction makes it ideal for use in heavy duty repair shops.

With a 7-1/2" (190 mm) ground clearance, this drain fits under most automobiles.

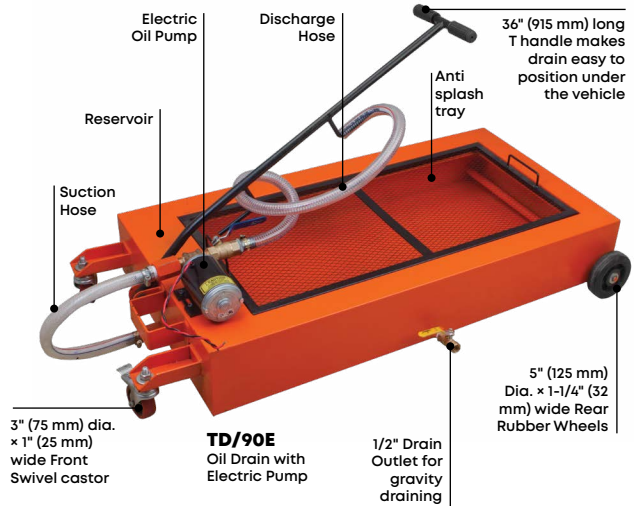
Drain capacity 23.7 gallons (90 Litres).

To Collect waste fluids including motor oil, transmission fluid, coolant etc.

Available in 3 Versions:

1. Gravity Oil Drain
2. With Manual Rotary Pump: Manual rotary pump offers a discharge of upto 0.25 Gallon (1 litre) / 5 turns
3. With Electric Pump: Flexible Impeller design electric pump enables it to pump high viscosity fluid at high flow rate
Duty cycle: 45 min On / 45 min Off

UL Approved Motor



SPECIFICATIONS

MODEL	TD/90G	TD/90P	TD/90E/115/US	TD/90E/220/EU	TD/90E/12
DESCRIPTION	Gravity Oil Drain	Oil Drain with Manual Rotary Pump	Oil Drain with 115V AC powered Electric Pump	Oil Drain with 220V AC powered Electric Pump	Oil Drain with 12V DC powered Electric Pump
TRUCK DRAIN HEIGHT	7 -1/2" (190 mm)				
DISCHARGE HOSE OF 8FT. (99")	Yes				
FEEDER HOSE OF	No	0.8 FT. (9.5")	1.3 FT. (16")		
PUMP DISCHARGE	-	Upto 0.25 Gallon (1 litre) / 5 strokes	6 GPM (23 LPM)		4.5 GPM (17 LPM)

SAFETY INFORMATION

- Keep the work area clean and dry. Damp or wet work areas can result in injury.
- Store idle equipment. When not in use, tools and equipment should be stored in a dry location to inhibit rust
- Use the right tool for the job. Do not attempt to force small equipment to do the work of larger industrial equipment. Do not modify this equipment, and do not use this equipment for a purpose for which it was not intended.

WARNING!

- Read and understand all instructions. Failure to follow all instructions listed above may result in electric shock, fire and/or serious injury.

PACKAGE CONTENT

DESCRIPTION	QUANTITY
Drain tank	1
Manual rotary pump with handle *	1
Electric pump**	1
Anti-splash screen	1
T handle	1
Discharge hose	1
Feeder hose	1
Fastener kit	1
Ball Valve	1
O.I.P.M.	1

*For TD/90P variant only
**For TD/90E variant only

TOOLS NEEDED

- Spanner 10, 17, 19 & 26
- Screwdriver

BEFORE INSTALLATION

- Eyes protection: Wear a protective mask or protective eyewear.
- Skin protection: Avoid repeated and prolonged contact of fluids with the skin by wearing impermeable protective gloves.
- Check that the product has not suffered any damage during transport or storage. Clean the outlet openings, removing any dust or residual packing material.
- Keep the product away from heat and sharp edges. Check for wear and make certain that all connections are secure.

INSTALLATION OF TD/90P

1. Screw both the front swivel castor with the threaded holes provided at the front of the truck drain using 19mm spanner.



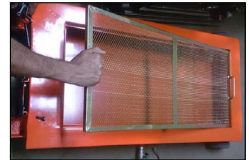
2. Mount the 2 rear rubber wheels on to the shaft, provided at the rear of the truck drain and lock it with the nut & washer using 17mm spanner.



3. Take out the ball valve from the poly bag & screw it on the side wall of drain tank using 26mm spanner.



4. Place the anti splash tray on the seat provided on the top of the truck drain.



5. Attach the pump mounting bracket with 4 pairs of nut and bolts using 10 mm spanner.



6. Connect the handle to the drain with the nut, bolt and washer using 17 mm spanner.



7. Screw the hose barbs on the inlet and outlet of the rotary barrel pump.



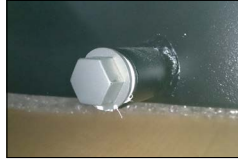
8. Connect one end of feeder hose with the inlet hose barb and the other with the outlet hose barb with the hose clamp using screwdriver.



- Mount the pump on to the bracket using the nut and bolts.



- Connect the inlet hose of the pump with the outlet opening at the bottom of the drain, just below the Pump mountings.



- The front swivel castor can be inserted with 4 washers (depending on the requirement) to balance the Truck Drain over an uneven surface.



- Connect the handle to the drain with the nut, bolt and washer using 17 mm spanner.



- Take out the ball valve from the poly bag & screw it on the side wall of drain tank using 26mm spanner.



- The smaller wheel can be inserted with 4 washers (depending on the requirement) to balance the Truck Drain over an uneven surface.



WARNING!

- Do not use the truck drain without the anti splash tray to separate solid particles from the used oil.
- Connections of the hose must be secured tightly to avoid any oil spillage.

INSTALLATION OF TD/90G

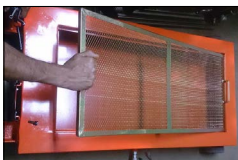
- Screw both the front swivel castor with the threaded holes provided at the front of the truck drain using 19mm spanner.



- Mount the 2 rear rubber wheels on to the shaft, provided at the rear of the truck drain and lock it with the nut & washer using 17mm spanner.



- Place the anti splash tray on the seat provided on the top of the truck drain.



INSTALLATION OF TD/90E

- Unwrap the box and take out the Truck Drain.



- Take out the ball valve from the poly bag & screw it on the side wall of drain tank using 26mm spanner.



- Take out the pump from the box & assemble it on the drain tank with 4 nuts, bolts and washer using 10mm spanner.



- Screw 2 end fittings on both sides of electric pump.



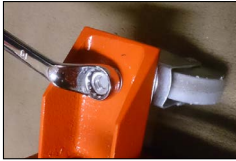
5. Connect one end of feeder hose with the inlet hose barb and the other with the outlet hose barb with the hose clamp using screwdriver.



6. Connect the discharge hose with the pump outlet and tighten the hose barb with the screwdriver.



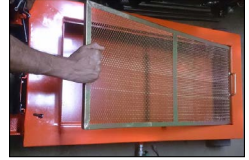
7. Screw both the front swivel castor with the threaded holes provided at the front of the truck drain using 19mm spanner.



8. Mount the 2 rear rubber wheels on to the shaft, provided at the rear of the truck drain and lock it with the nut & washer using 17mm spanner.



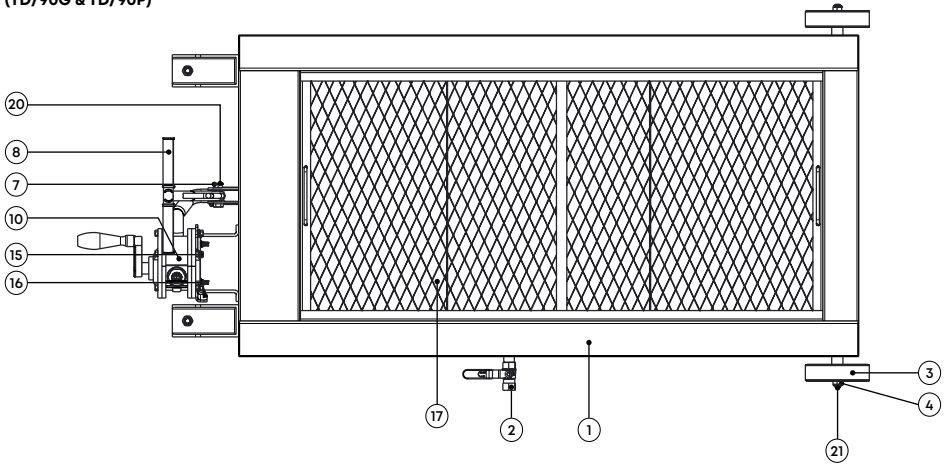
9. Place the Anti splash tray on the seat provided on the top of the truck drain.

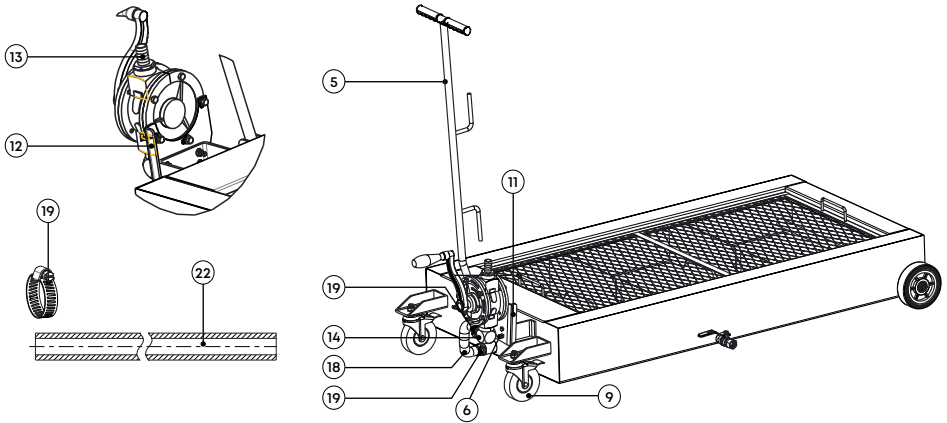


10. Connect the handle to the drain with the nut, bolt and washer using 17 mm spanner.



EXPLODED VIEW (TD/90G & TD/90P)

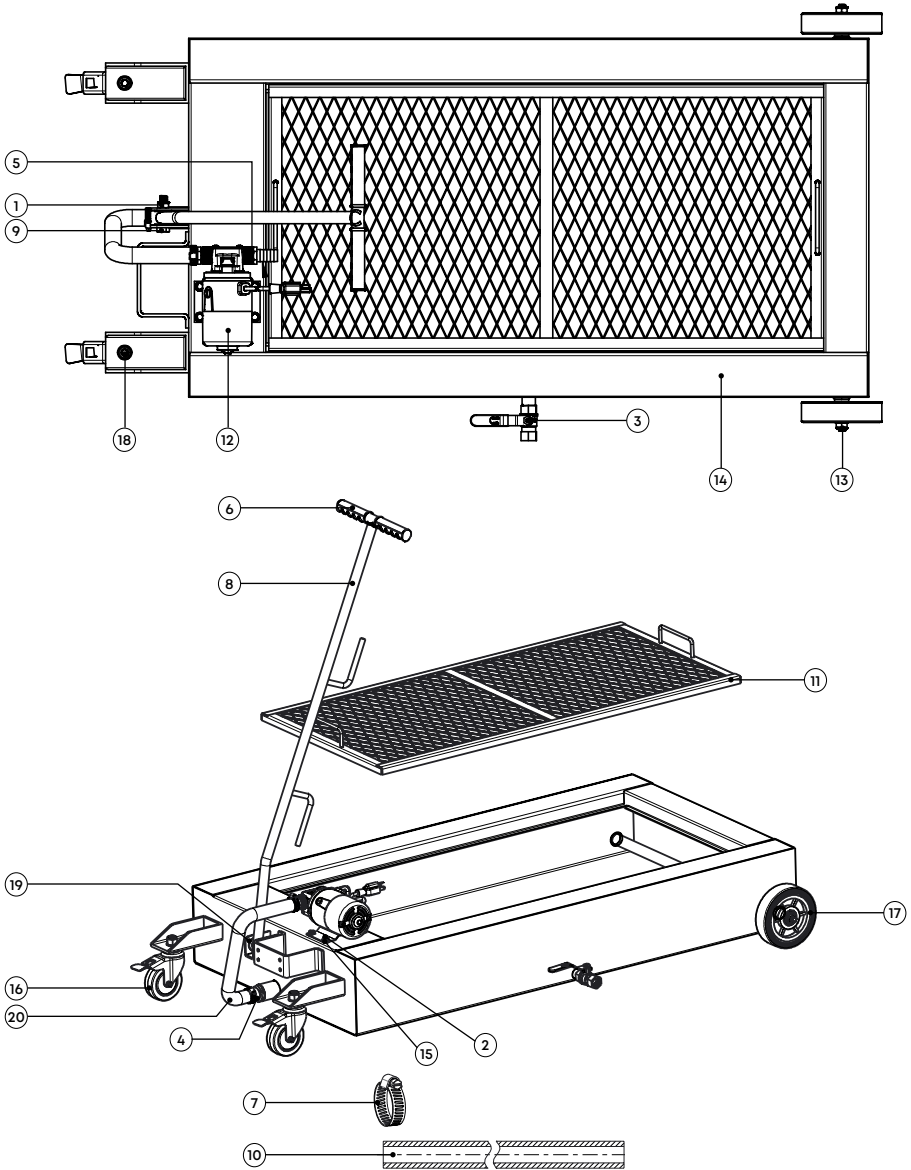




PARTS LIST
(TD/90P & TD/90G)

REF. NO.	DESCRIPTION	TD/90G	TD/90P	QUANTITY
1	Drain Tank	✓	✓	1
2	Ball Valve	✓	✓	1
3	Rear Rubber Wheel	✓	✓	2
4	Bolt	✓	✓	2
5	Handle	✓	✓	1
6	Bolt	✓	✓	1
7	Nyloc Nut	✓	✓	1
8	Grip	✓	✓	2
9	Front Swivel Castor	✓	✓	2
10	Hand Rotary Pump	x	✓	1
11	Bracket	x	✓	1
12	Spring washer	x	✓	3
13	End Fitting	x	✓	3
14	Adaptor	x	✓	1
15	Bolt	x	✓	4
16	Prevailing Torque Flange Nut	x	✓	4
17	Anti Splash Screen	✓	✓	1
18	Feeder Hose	x	✓	1
19	Hose Clamp	x	✓	3
20	Washer (Handle)	✓	✓	2
21	Washer	✓	✓	4
22	Discharge Hose	✓	✓	1

EXPLODED VIEW (TD/90E)



PARTS LIST
(TD/90E)

REF. NO.	DESCRIPTION	TD/90E	QUANTITY
1	Bolt	✓	1
2	Bolt (M-6)	✓	4
3	Ball Valve	✓	1
4	End Fitting (Inlet)	✓	1
5	End Fitting	✓	2
6	Grip	✓	2
7	Hose Clamp	✓	3
8	Handle	✓	1
9	Nyloc Nut	✓	1
10	Discharge Hose	✓	1

REF. NO.	DESCRIPTION	TD/90E	QUANTITY
11	Anti splash screen	✓	1
12	Electric Pump	✓	1
13	Bolt	✓	2
14	Drain Tank	✓	1
15	Spring Washer	✓	4
16	Front Swivel castor	✓	2
17	Rear Rubber Wheel	✓	2
18	Washer	✓	4
19	Steel Washer	✓	1
20	Feeder Hose	✓	1

TROUBLESHOOTING
(Refer "EXPLODED VIEW")

PROBLEM	POSSIBLE CAUSE	CORRECTIVE ACTION
Pump does not dispense fluid	Pump not able to create adequate suction	Prime the pump by adding a few drops of oil into the delivery port. Operated the handle until it starts dispensing
	Pump is drawing in air instead of fluid	Tighten all connections of Suction Tube & of the Suction Tube with pump inlet.
	Lever is not connected to Rotor Shaft	Loosen the grub screw on the Lever. Now align it with the depression on the Rotor Shaft & then tighten
Leakage of media from the crankshaft	Damaged seal due to use with media not suitable for use with pump	Seal needs to be replaced. Send to distributor for service repair
Leakage of media from between the cover plate & pump body	Damaged seal due to use with media not suitable for use with pump	Seal needs to be replaced. Send to distributor for service repair
Electric Motor Not Working	Check if switch is in the "on" Position	Turn on the motor switch
	Low voltage to the pump	Make sure the proper voltage is being supplied to the pump

DISPOSAL

The components or the used products must be given to companies that specialize in the disposal and recycling of industrial waste.



GROZ WARRANTY POLICY

Groz makes all efforts to ensure that its products meet the highest standards of quality and durability and warrants to the original purchaser its range of products for a period of 12 months from Groz Invoice date, against defects in materials and workmanship. If the Groz product is part of a set, only the portion that is defective is subject to this warranty.

This warranty does not apply to damage due directly or indirectly, to misuse, abuse, wear and tear, negligence or accident, repairs or alterations outside Groz plants, or to lack of maintenance. Groz shall in no event be liable for death, injuries to persons or property or for incidental, contingent, special or consequential damages arising from the use of its products. It is upto the user to determine suitability and safety of the product for their intended use, and the user assumes all risks and liability herewith.

In no event, shall Groz's liability exceed the invoiced cost of the product. In case of identification of defect covered under this warranty, the same must be notified in writing to Groz /Groz designated authorized service location. Proof of purchase date must accompany the complaint. Groz reserves the right to call back the faulty unit, all charges including transportation prepaid. On verification of the defect, the unit will be repaired or replaced with a new or reconditioned product or part of equal utility or a full refund given at Groz's discretion. The repaired /replaced units will be returned to the user freight prepaid, using most economical freight carrier. However if determined that the defect resulted from causes not within the scope of the warranty, then the cost of returning the product would be to buyer's account.

Groz Engineering Tools Pvt. Ltd. Groz Net Industries

Village Kherki Daula, National Highway-8,
Gurugram-122001, Haryana, INDIA

Tel +91.124.282.7700

E-Mail info@groz-tools.com

Url www.groz-tools.com

The GROZ name, GROZ logo and the  mark are trademarks of GROZ Engineering Tools Pvt. Ltd., India