

Milling Machine Vices Super Precision

MMV-SP

Milling Machine Vice is amongst the most popular vice used in workshops, machine shops and shop floor

Useful for milling, jig boring, grinding & shaping applications

Manufactured from close grained hi-tensile seasoned cast iron, the vice body has a scratch & rust proof premium polychromatic finish

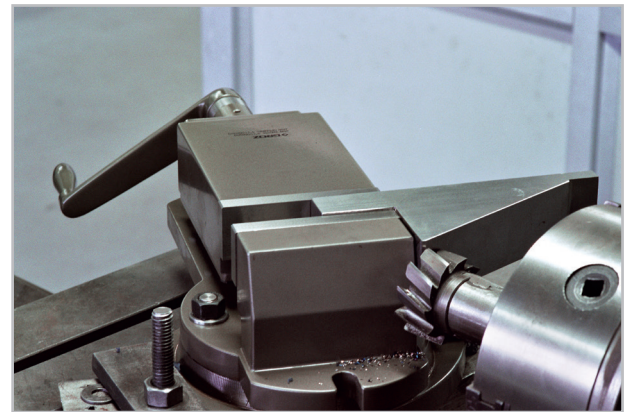
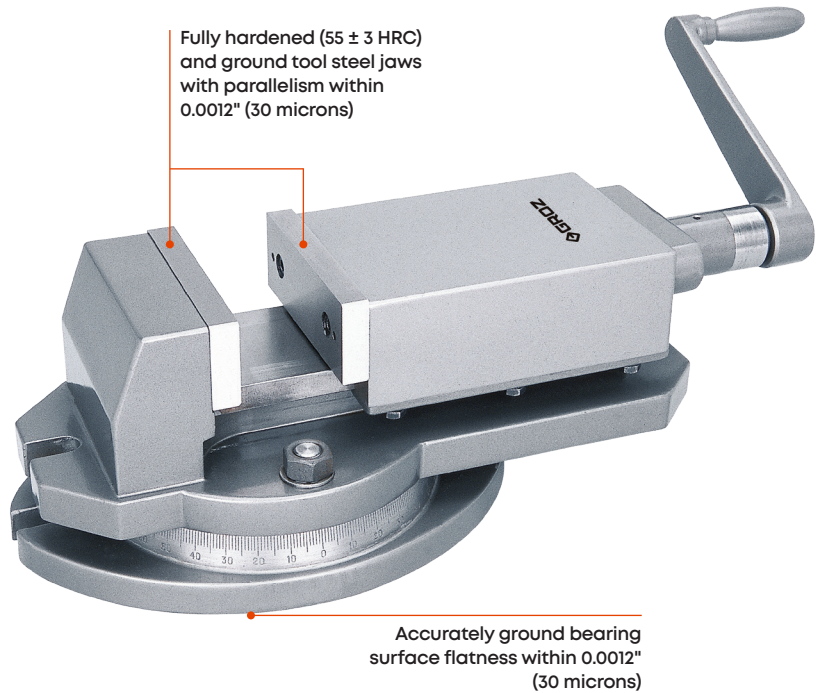
Vice jaws made from fully hardened and ground tool steel allow the work piece to be held dead square without use of any packing. This improves efficiency and life of jaws and also helps reduce strain on vice body

High tensile fasteners provide greater strength and rigidity

360° swivel base allows the vice to be set at any angle along the vertical axis

Vice base has a milled slot which helps in accurate location of the vice on the machine table using rectangular locating nuts

“Hold Down” slots for secure clamping of the vice on the machine table



Milling machine vice being used to hold a job for milling operation

ORDERING INFORMATION

CAT NR.	ORD NR.	JAW WIDTH		JAW OPENING		JAW DEPTH		NET WEIGHT (KG)	BOX QTY.
		(INCH)	(MM)	(INCH)	(MM)	(INCH)	(MM)		
MMV/SP/50	35010	2	50	2	50	1	25	3.5	6
MMV/SP/75	35014	3	75	3	75	1-11/32	34	8.5	2
* MMV/SP/100	35011	4	100	4	100	1-1/2	38	18	1
MMV/SP/125	35013	5	125	5	125	1-3/4	45	27.7	1
* MMV/SP/150	35012	6	150	6	150	1-3/4	45	35	1

* Best Seller