

### Worklight Dual Power

LED-670

LED-670T



CE  
RoHS  
IP54  
IK07

Dual power worklight for use on construction sites, in general maintenance, workshops etc.

#### Light Output

Single button controlled variable output. Simply push button to change from 50% to full 100% intensity

	LITHIUM ION BATTERY		AC SUPPLY
INTENSITY	100%	50%	100%
LUMEN	2800	1400	2800
RUN TIME	2 hours	4 hours	-



Rubberised edge guard

Knob secures magnetic attachment in place

Removable magnetic base

LED-670

#### Cool Light

Finned design reduces heating up of light

#### Sturdy Construction

- a. **IP 54 Rated**  
Protected against dust and effects of water spray from any direction
- b. **IK 07 Rated**  
Impact-proof & corrosion resistant aluminium die cast housing in premium powder coated finish. Rubberised edge guards make the light resistant to shocks and vibration – common in on any jobsite

#### Versatile Use

Can be used as:

- a. Free standing worklight with mounting bracket
- b. On magnetic base - removable magnetic base can be attached onto any metallic surface leaving both hands free
- c. On tripod stand to light overhead work or minimise shadows when directing the light downwards.

#### Charge Your Phone

Rechargeable and removable battery pack also doubles as a power bank



LED-670T  
Telescopic Tripod  
Stand Mounting

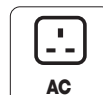
1m - 1.68m  
(39-1/2" - 6'5")

CAT NR.	DESCRIPTION	SIZE (LxHxD)	
		(INCH)	(MM)
LED/670	Worklight	9.5 x 10 x 5	241 x 254 x 127
LED/670T	Worklight complete with tripod	46 x (48 to 75-1/2) x 46	1168 x (1219 to 1905) x 1168

#### DUAL POWER SOURCE



7.4V 4400 mAh



220V AC, 50Hz  
115 V AC, 60Hz

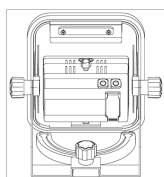
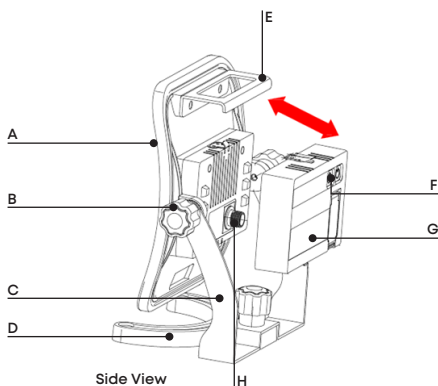


SCAN TO WATCH

### PACKAGE CONTENT

DESCRIPTION	QUANTITY
Light	1
Magnetic base	1
Battery pack	1
Charging cable	1

### NOMENCLATURE



Back View



A	Light
B	Adjusting Knob
C	Bracket
D	Magnetic
E	Handle
F	Buttons
G	Battery Pack
H	Socket
I	Adaptor

### SAFETY INFORMATION

- Check for damaged parts and any other conditions that may affect the operation of this product. Replace damaged parts immediately.
  - Do not use the lamp in the immediate vicinity of inflammable materials or gases.
  - Only use the accessories included with the product .
  - Keep the lamp out of reach of unauthorised persons, especially children.
- Do not point the light directly in your own or any other person's or animal's eyes.

### OPERATING INSTRUCTIONS

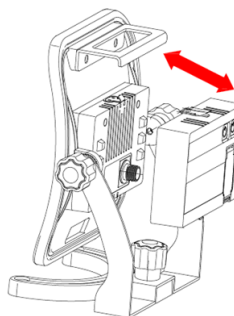
(Refer "NOMENCLATURE")

#### Charging

1. Fully charge the battery before the first use on battery source.
2. Turn off the light and connect to the supplied charger cable.
3. When the battery is fully charged, all the indicator LEDs will constantly turn GREEN .
4. Full charging takes about 3 hours.

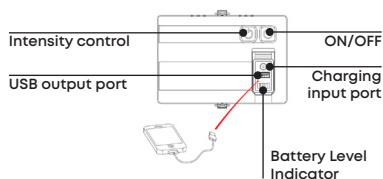
#### Operation

Mount the magnetic base on the bracket as shown below to mount the light on a metal surface.



#### Use with battery power

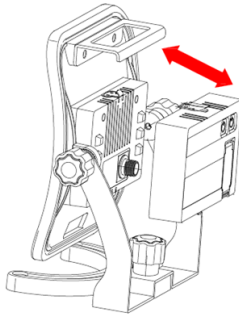
- To switch ON the light press the button labeled ON/OFF at the back of the unit.
- To change the intensity of light press the button labeled 50%/100%.
- Power Bank- Insert a USB cable in the USB slot and the device connected with the battery will start charging



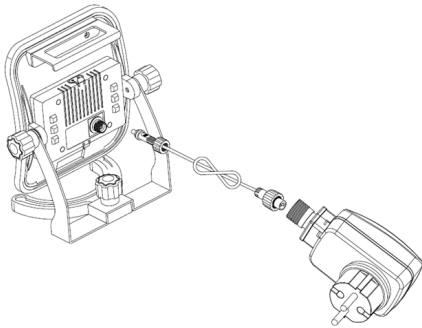


### Use with ac power

1. Remove the battery from the light by opening both the locks on the top and bottom of the battery.



2. Assemble the adaptor and insert the cable inside socket of the light.



3. Switch ON the power to switch on the light.

**Note:** There is no intensity setting for use in AC power source

### MAINTENANCE

- Before cleaning the LED worklight, disconnect the USB cable(if being charged) and allow the worklight to cool down sufficiently.
- Clean with a dry or slightly moist, clean, lint-free cloth and a mild detergent if required.
- Do not use cleaners that contain abrasives or solvents.
- Check the LED worklight for damage before each use. If the lens is damaged it must be replaced immediately.
- Clean any dirt from the housing or the lens immediately, since it could cause overheating.

**Note:** The light source of this luminaire is not replacable; when the light source reaches its end of life the whole luminaire shall be replaced

### DISPOSAL

The components or the used products must be given to companies that specialize in the disposal and recycling of industrial waste.





---

**Groz Engineering Tools Pvt. Ltd.**  
**Groz Net Industries**

Village Kherki Daula, National Highway-8,  
Gurugram-122004, Haryana, INDIA

**Tel** +91.124.282.7700

**E-Mail** [info@groz-tools.com](mailto:info@groz-tools.com)

**Url** [www.groz-tools.com](http://www.groz-tools.com)

The GROZ name, GROZ logo and the  mark are trademarks of GROZ Engineering Tools Pvt. Ltd., India

