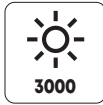




Sitelamp 360° Swivel

LED-660



CE
RoHS
IP65

Multi-mode super bright 36W 72 SMD site lamp

Light Output

Single button controlled high quality output in multiple modes

INTENSITY	HIGH	MEDIUM	LOW
LUMEN	3000	1500	750
RUN TIME	1.5 hours	2.5 hours	5 hours

Sturdy Construction

- IP65 Rated**
Protected against dust and effects of low pressure water jets from any direction
- Corrosion resistant aluminium die cast construction in premium powder coated finish
- Impact proof ABS frame
- Tempered glass lens
- Steel handle with foam grip
- Sturdy steel stand for balanced positioning in the toughest of job site conditions

Swivel & tilt design

Patented 360° swivel & tilt mechanism. Ball joint mechanism allows

- Swivelling of light full 360°
- Tilt

Charging of Battery

Battery can be recharged using dual voltage (110V-240V) AC adaptor

Charge Your Phone

Rechargeable battery pack also doubles as a power bank

POWER SOURCE



7.4V 4400 mAh

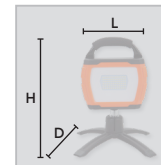


Tilt & swivel to 360°



3 LED battery level indicator

CAT NR.	SIZE (LxHxD)	
	(INCH)	(MM)
LED/660	8.7 × 8.7 × 12.2	223 × 223 × 309





PACKAGING CONTENT

DESCRIPTION	QTY.
Rechargeable site lamp	1
Universal AC Adaptor	1
O.I.P.M.	1

SAFETY INFORMATION

- Follow workshop health & safety rules, regulations and conditions when using the rechargeable site lamp.
- When not in use, rechargeable site lamp should be stored in a dry location to inhibit rust.
- During their period of use, accessories must be checked for wear, cracks and other damage, replace any damaged or worn parts.
- Use genuine parts only. Unauthorized parts may be dangerous and will void the warranty.
- Keep the rechargeable site lamp clean and in good working order for best and safest performance.
- DO NOT use the lamp in the immediate vicinity of inflammable materials or gases.
- DO NOT point the light directly in your own or any other person's or animal's eyes.
- DO NOT pull the charger plug from the mains socket by the lead.
- DO NOT drop, throw or abuse the rechargeable site lamp.

WARNING!

- DO NOT use any other type of charger with this product, other than the supplied mains or car charger. Failure to observe this warning could result in injury and or fire and will void the warranty.

BEFORE INSTALLATION

- **Eyes protection:** Wear a protective mask or protective eyewear.
- Check that the product has not suffered any damage during transport or storage. Clean and remove any dust or residual packing material.
- Read the instructions carefully before using rechargeable site lamp and keep them for further reference.

WARNING!

- Defective accessories can lead to personal injury and material damage.

INSTALLATION

(Refer "EXPLODED VIEW")

1. Place the site lamp on a plane surface and open the charging socket cover (11) located on the rear of the light just below the switch (8).
2. Connect charging lead to the socket in the back of light. Connect charger to power supply, switch on power supply. The battery will begin charging, full charge will be reached in approx. 4.5hrs.
3. The three LED lights near the charging socket cover (11) shows the state of charge of the battery while charging.
4. When the battery is fully charged, remove the charger and close the charging socket cover (11). (A USB port is also position next to the charging connection so that the battery can be used as a power bank.)

CAUTION!

- Use only the supplied charger plug for connecting lamp to the power supply.
- DO NOT turn the lamp on when it is being charged.
- DO NOT attempt to open, disassemble, modify or service the battery pack.
- DO NOT expose rechargeable site lamp to temperatures above 60°C (140°F).
- DO NOT use the lamp if you suspect that the battery or the lamp casing is damaged.
- DO NOT leave battery in a discharged state, recharge battery immediately. Before storage, fully recharge the battery, subsequently recharge the battery at least once every six months of non-use.

OPERATING INSTALLATION

(Refer "EXPLODED VIEW")

1. Press the switch (8) once for low, twice for medium and three times for high lumens output.
2. The site lamp can swivel through 360° and be tilted

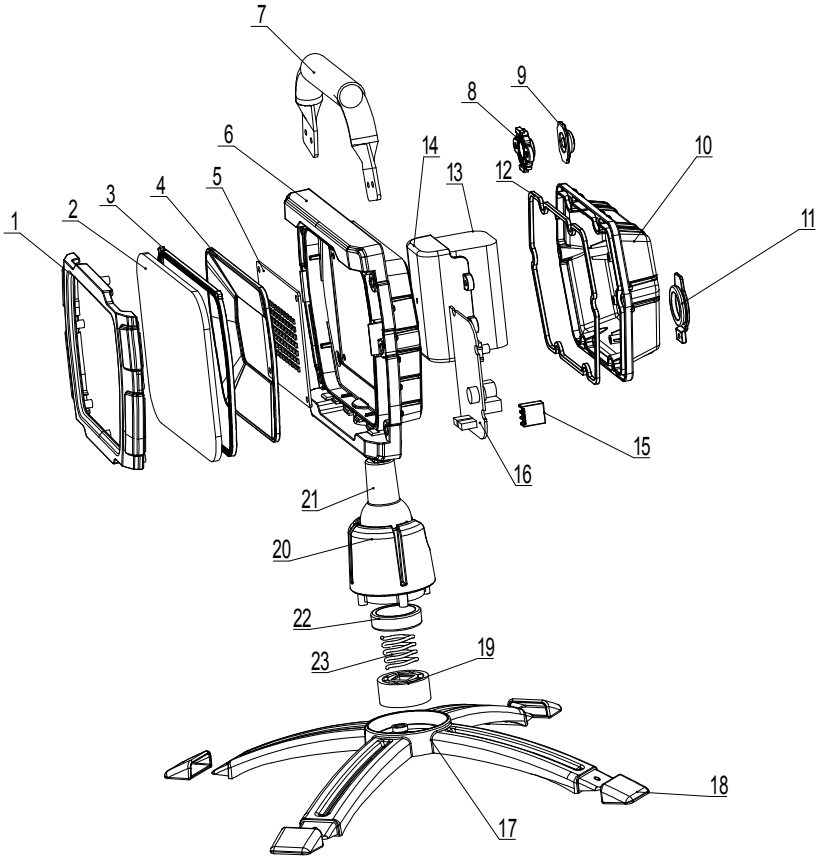
MAINTENANCE

- Recharge the battery immediately when discharged.
- Before storage, fully recharge the battery, subsequently recharge the battery at least once every six months of non-use.
- When not in use, rechargeable site lamp should be stored in a dry location.





EXPLODED VIEW



PART LIST

REF NO.	DESCRIPTION	QTY.
1	Front housing	1
2	Tempered glass	1
3	Sealing ring	1
4	Plastic Reflector	1
5	72 LED PCB	1
6	Mains housing	1
7	Handle	1
8	Switch	1
9	Switch cap	1
10	Back housing	1
11	Charging socket cover	1
12	Waterproof ring	1

REF NO.	DESCRIPTION	QTY.
13	7.4v (4400 mAh) battery pack	1
14	Battery cover	1
15	Indicator support	1
16	PCB	1
17	"X" stand	1
18	Rubber cap	4
19	Bottom Ball solid board	1
20	Rotating support	1
21	Pivot	1
22	Ball middle solid board	1
23	Wave spring	1





TROUBLESHOOTING

PROBLEM	POSSIBLE CAUSE	CORRECTIVE ACTION
The rechargeable site lamp has low lumen output or does not work.	Low battery	Recharge the battery
If the rechargeable site lamp still doesn't work		Contact nearest authorized service dealer

DISPOSAL

The components or the used products must be given to companies that specialize in the disposal and recycling of industrial waste.

Groz Engineering Tools Pvt. Ltd. Groz Net Industries

Village Kherki Daula, National Highway-8,
Gurugram-122004, Haryana, INDIA

Tel +91.124.282.7700

E-Mail info@groz-tools.com

Url www.groz-tools.com

The GROZ name, GROZ logo and the  mark are trademarks of GROZ Engineering Tools Pvt. Ltd., India

