

Rotary Drum Pumps

Amongst the most popular manual pumps worldwide, the GROZ Rotary Pump is designed with unique features for maximum convenience

Dual Directional

Empty as well as refill container simply by reverse turn of the handle

Sturdy cast iron body with precisely machined cast iron vanes for better draw & smoother delivery

Rugged & Heavy Duty

Pump weighs 6.6 kg (14.5 lbs)

Complete with suction tube, 2" cast iron bung nut & discharge spout

Suitable for use on 50-205 litre (15-55 gallon) drums



FOR GNB-20

DELIVERS

UPTO 2.85 LITRE
(0.75 GAL) / 20 TURNS
FOR DIESEL FUEL

FOR GNB-25

DELIVERS

UPTO 5 LITRE
(1.30 GAL) / 20 TURNS
FOR DIESEL FUEL

SPECIFICATIONS

	GNB-20		GNB-25			
			GNB/25T/SPL	GNB/25/3R/SPL	GNB/25/3R/PRO	GNB/25T/PRO
PUMP INLET	3/4" BSPT (F)		1" BSPT (F)			
SUCTION TUBE	Telescopic		Telescopic	3 pc. Rigid pipe		Telescopic
DISCHARGE SPOUT	Steel		Steel		1.8 m hose with metal nozzle	
PUMP MECHANISM	Rotary Vane Type					
DUAL DIRECTIONAL	Yes					
WETTED COMPONENTS	Steel, Cast iron and NBR/Viton					
RECOMMENDED USE	Diesel, Kerosene, Heating Oils, Motor Oils, Lubricating Oils (upto SAE 90) and other non-corrosive media					
DO NOT USE WITH	Water based media, Antifreeze, Solvents, Acids & Gasoline etc.					

CAT. NR.	PUMP INLET	SEALS	DISCHARGE SPOUT	SUCTION TUBE
	(INCH)			
GNB/20T	3/4	NBR	Bend pipe & plastic discharge hose	Telescopic
GNB/20T/SPL	3/4	NBR	Bend pipe	Telescopic
GNB/25/3R	1	NBR	Bend pipe & plastic discharge hose	3 pc. Rigid pipe
GNB/25/3R/H	1	NBR	Bend pipe & delivery hose with metal nozzle	3 pc. Rigid pipe
GNB/25/3R/SPL	1	NBR	Bend pipe	3 pc. Rigid pipe
GNB/25/3R/PRO	1	NBR	Bend pipe & delivery hose with curved spout	3 pc. Rigid pipe
GNB/25T	1	NBR	Bend pipe & plastic discharge hose	Telescopic
GNB/25T/SPL	1	NBR	Bend pipe	Telescopic
GNB/25T/PRO	1	NBR	Bend pipe & delivery hose with curved spout	Telescopic
GNB/25V/3R/SPL	1	Viton	Bend pipe	3 pc. Rigid pipe

SAFETY INFORMATION

- Keep the work area clean and dry. Damp or wet work areas can result in injury.
- When not in use, tools and equipment should be stored in a dry location to inhibit rust. Always lock up tools and equipment, and keep out of reach of children.
- Use the right tool for the job. Do not attempt to force small equipment to do the work of larger industrial equipment. Do not modify this equipment.
- Check for damaged parts. Before using this product, carefully check that it will operate properly and perform its intended function. Replace damaged or worn parts immediately.

WARNING!

- Read and understand all instructions. Failure to follow all instructions listed above may result in electric shock, fire and/or serious injury.

PACKAGE CONTENT

DESCRIPTION	QUANTITY
Pump body	1
Pump handle	1
Bend pipe	1
Bung nut / adaptor	1
Suction tube (3 Piece rigid pipe / Telescopic)	1 set
Plastic discharge hose / Delivery hose with metal nozzle* / Delivery hose with curved spout*	1 set
Hose clamp	1* or 2*
Spring *	1
O.I.P.M.	1

*For GNB/25/3R/H only

^For PRO models only

TOOLS NEEDED

- 14 mm spanner / 9/16" spanner
- Screwdriver

BEFORE INSTALLATION

- **Eyes protection:** Wear a protective mask or protective eyewear.
- **Skin protection:** Avoid repeated and prolonged contact of fluids with the skin by wearing impermeable protective gloves.
- Check that the equipment has not suffered any damage during transport or storage. Clean the inlet and outlet openings, removing any dust or residual packing material.
- Read the instructions carefully before using the pump and keep them for further reference.

INSTALLATION

(Refer "EXPLODED VIEW")

1. Thread tighten the bend pipe (4) onto the outlet on the pump body (1).

2. Assemble the plastic discharge hose (7a) / delivery hose with metal nozzle* (7b) / delivery hose with curved spout^ (7c) on the bend pipe (4) using hose Clamp* (9)
3. Place the spring* (8) on the delivery hose with metal nozzle* (7b) to avoid bending of hose near the nozzle.
4. Connect the pump handle (3) to the crankshaft (2) on the pump body (1).
5. Secure the connection using the bolt provided. Make sure that the bolt fits onto the depression in the crankshaft (2).
6. Assemble the 3 piece of suction tube (5b) together. (For models having 3 piece rigid suction tube).
7. Slide the bung nut / adaptor (6) onto the suction tube (5) from the top end & thread tighten the suction tube (5) onto the inlet on the pump body (1). Use sealant in connecting the suction tube (5) for a totally leak-proof connection.
8. Insert the pump assembly into the drum from the drum opening.
9. Once the bottom of the suction tube (5) touches the base of the drum, securely fasten the bung nut / adaptor (6) onto the drum. Now very lightly tighten the bung nut / adaptor (6) onto the suction tube (5).

*For GNB/25/3R/H only

^For PRO models only

OPERATING INSTRUCTIONS

(Refer "EXPLODED VIEW")

1. Take an empty container & place it below the discharge outlet (7) of the pump. Start rotating pump handle (3). Within a maximum of seven rotations, pump will be primed & will start dispensing media.
2. In a rare case, where the pump does not get primed, the same can be done by pouring small amount of oil into the discharge outlet (7) & operating the pump handle (3) for about seven rotations.
3. The pump is now ready to use.
4. This Pump can also be used for refilling the drum/barrel by turning the pump handle (3) anticlockwise.

CAUTION

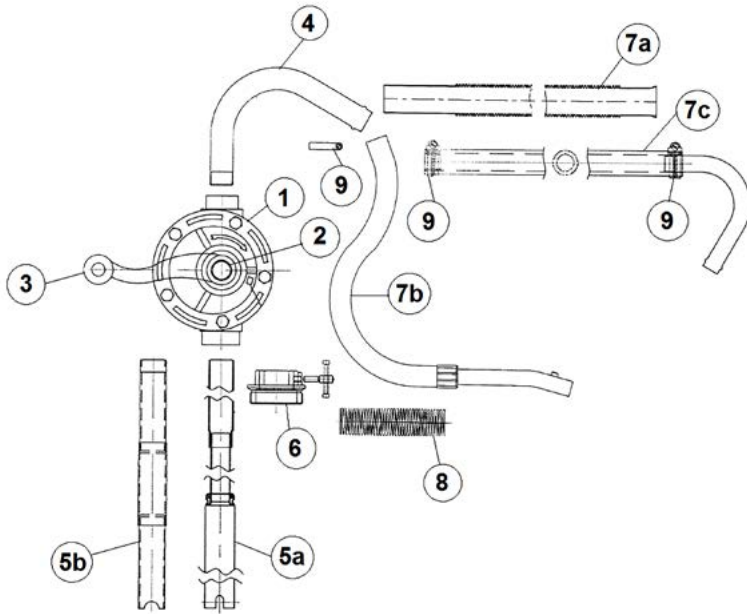
- If the pump is re-used after a long time, it may lose it's prime & need re-priming.

MAINTENANCE

(Refer "EXPLODED VIEW")

- This pump required little maintenance, however to maximize the useful life of the pump it is recommended to inspect and, if necessary, periodically clean the suction tube (5) and discharge outlet (7)

EXPLODED VIEW



PART LIST

REF NO.	PARTS DESCRIPTION	QUANTITY
1	Pump body	1
2	Crankshaft	1
3	Pump handle	1
4	Bend pipe	1
5	Suction tube	1 set
a.	Telescopic	
b.	3 Piece rigid pipe	
6	Bung nut / adaptor	1
7	Discharge outlet	1 set
a.	Plastic discharge hose	
b.	Delivery hose with metal nozzle*	
c.	Delivery hose with curved spout*	
8	Spring*	1
9	Hose clamps	1" or 2"

*For GNB/25/3R/H only
 *For PRO models only



TROUBLESHOOTING

PROBLEM	POSSIBLE CAUSE	CORRECTIVE ACTION
Pump does not dispense fluid	Pump not able to create adequate suction	Prime the pump. Refer "OPERATING INSTRUCTIONS"
	Pump is drawing in air, instead of fluid	Tighten all connections of suction tube & of the suction tube with pump inlet
	Suction tube inlet is blocked	Remove suction tube & clean the tube inlet
Leakage of media from the crankshaft	Damaged seal due to use with media not suitable for use with pump	Replace seal with genuine replacement seal from manufacturer
Tight handle movement	Pump has not been used for a long time	Remove pump cover and inspect for deposits on components and corroded parts. Clean or replace parts. Flush pump with the media being used if pump is not in use for a long period.
	Damaged or worn pump parts	Remove pump cover & inspect internal parts. Replace worn or damaged parts.

DISPOSAL

The components or the used product must be given to companies that specialize in the disposal and recycling of industrial waste.

GROZ WARRANTY POLICY


Groz makes all efforts to ensure that its products meet the highest standards of quality and durability and warrants to the original purchaser its range of products for a period of 12 months from Groz Invoice date, against defects in materials and workmanship. If the Groz product is part of a set, only the portion that is defective is subject to this warranty.

This warranty does not apply to damage due directly or indirectly, to misuse, abuse, wear and tear, negligence or accident, repairs or alterations outside Groz plants, or to lack of maintenance. Groz shall in no event be liable for death, injuries to persons or property or for incidental, contingent, special or consequential damages arising from the use of its products. It is upto the user to determine suitability and safety of the product for their intended use, and the user assumes all risks and liability herewith.

In no event, shall Groz's liability exceed the invoiced cost of the product. In case of identification of defect covered under this warranty, the same must be notified in writing to Groz /Groz designated authorized service location. Proof of purchase date must accompany the complaint. Groz reserves the right to call back the faulty unit, all charges including transportation prepaid. On verification of the defect, the unit will be repaired or replaced with a new or reconditioned product or part of equal utility or a full refund given at Groz's discretion. The repaired /replaced units will be returned to the user freight prepaid, using most economical freight carrier. However if determined that the defect resulted from causes not within the scope of the warranty, then the cost of returning the product would be to buyer's account.

Groz Engineering Tools (P) Ltd. Groz Net Industries

Village Kherki Daula, National Highway-8,
Gurugram-122001, Haryana, INDIA
Tel +91.124.282.7734/40, 2827777
Fax +91.124.2827980, 2827986
E-Mail info@groz-tools.com
Url www.groz-tools.com

The GROZ name, GROZ logo and the  mark are trademarks of GROZ Engineering Tools (P) Ltd., India