

Brass Transfer Pump

BLG

Hand pump that provides clean, quick, hassle free transferring or evacuating of a wide variety of media including engine oil, coolants, transmission fluid, power steering fluid, oils, diesel, water, Antifreeze etc.

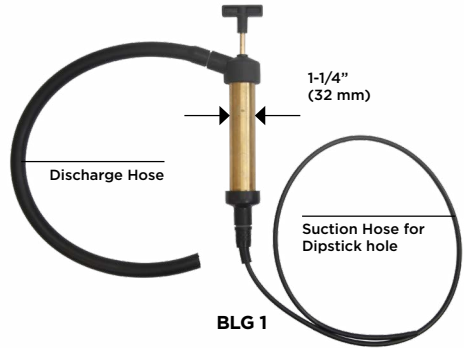
Has a non-corroding premium Brass construction & hand removable caps.

Pump is small & lightweight & fits easily in a toolbox or the trunk of a car.

Self-priming, smooth and easy operation.

Pump is fully serviceable with no threaded parts.

For use on cars, boats, motorcycles, ATV's lawn & garden equipment etc.



BLG/1

Draining out oil from crank case or ATF through dipstick hole. Does it from under the hood & not under the car.

Cleaning sludge accumulation from oil filter case.

Removing water from radiator to add antifreeze or to service thermostat or pump.

Draining stopped sinks.

Transferring fluids from one container to the other without lifting.

Pumping water out from small boats

Comes complete with 24" (600mm) of 1/2" (12mm) dia. discharge hose & 40" (1000mm) of 1/4" (6mm) dia. of suction hose.

BLG/2

Comes complete with 60" (1500 mm) of 1/2" (12 mm) dia. discharge hose.



SPECIFICATIONS

	BLG1	BLG2
DELIVERS	100 ml/stroke (3.30 oz./stroke)	250 ml/stroke (8.50 oz./stroke)
OVERALL LENGTH	10.1/2" (265 mm)	17" (430 mm)
SUCTION HOSE	Yes	No
DISCHARGE HOSE	Yes	
MAX. TEMPERATURE	60°C (140°F)	
WETTED COMPONENTS	Brass, NBR, PPCP, Aluminum, Nylon.	
RECOMMENDED USE	Engine Oil, Coolants, Transmission Fluid, and Power Steering fluid, Oils, Diesel, Water, and Antifreeze	

CAT NR.	DESCRIPTION
BLG/1	Brass Transfer pump - Small
BLG/2	Brass Transfer pump - Large

SAFETY INFORMATION

- Follow workshop Health & Safety rules, regulations and conditions when using the pump.
- Maintain the pump in good condition and replace any damaged or worn parts.
- Use genuine parts only. Unauthorised parts may be dangerous and will void the warranty.
- Wear approved safety gloves and eye and ear protection.
- Keep the pump clean and in good working order for best and safest performance.
- DO NOT use the pump for a task it is not designed to perform.
- DO NOT drop, throw or abuse the pump.

WARNING!

- DO NOT use the pump if damaged or thought to be faulty. Contact your local service agent.

PACKAGING CONTENT

DESCRIPTION	QUANTITY
Pump body	1
Discharge hose	1
Suction hose*	1
O.I.P.M	1

*For BLG/1 only

BEFORE INSTALLATION

- **Eyes protection:** Wear a protective mask or protective eyewear.
- **Skin protection:** Avoid repeated and prolonged contact of fluids with the skin by wearing impermeable protective gloves.
- Check that the equipment has not suffered any damage during transport or storage. Clean the inlet and outlet openings, removing any dust or residual packing material.
- Read the instructions carefully before using the pump and keep them for further reference.

WARNING!

- Defective accessories can lead to personal injury and material damage.

INSTALLATION

Refer "EXPLODED VIEW"

1. Slide the discharge hose (8) on to the outlet connector (4) at the outlet of the pump until the hose fully fits to the outlet.
2. *Assemble the suction hose (7) to the adaptor (6).

*For BLG/1 only

OPERATING INSTRUCTIONS

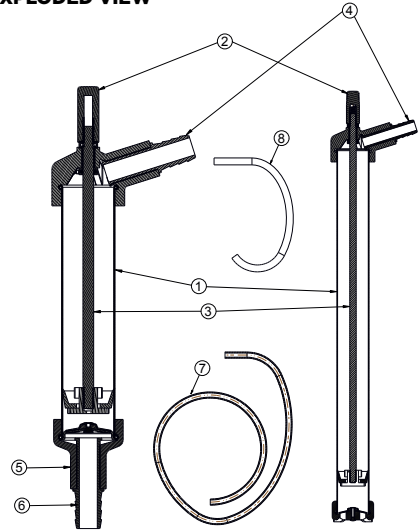
Refer "EXPLODED VIEW"

1. Start the pump by moving the handle (2), 2-3 strokes are required to prime the pump.
2. The pump is now ready to use.

MAINTENANCE

This pump requires little maintenance, however to maximize the useful life of the pump, it is recommended to inspect and, if necessary, periodically clean the discharge hose (8) and suction hose (7).

EXPLODED VIEW



PART LIST

REF NO.	PARTS DESCRIPTION	QUANTITY
1	Pump body	1
2	Handle	1
3	Plunger rod	1
4	Outlet connector	1
5	Inlet connector*	1
6	Adaptor*	1
7	Suction hose*	1
8	Discharge hose	1

*For BLG/1 only

TROUBLE SHOOTING

PROBLEM	POSSIBLE CAUSE	CORRECTIVE ACTION
Pump does not dispense fluid or does not prime	Pump not able to create adequate suction	Prime the pump. Operate the pump handle till fluid starts dispensing.
	Pump is drawing in air, instead of fluid	Tighten all connections of pump. Inspect seal for leaks.
Leakage of media from the pump	Damaged seal due to use with media not suitable for use with pump	Replace seal with genuine replacement seal from manufacturer and use only recommended media with the pump.

DISPOSAL

The components or the used products must be given to companies that specialize in the disposal and recycling of industrial waste.



GROZ WARRANTY POLICY

GROZ makes all efforts to ensure that its products meet the highest standards of quality and durability and warrants to the original purchaser its range of products for a period of 12 months from GROZ Invoice date, against defects in materials and workmanship. If the GROZ product is part of a set, only the portion that is defective is subject to this warranty.

This warranty does not apply to damage due directly or indirectly, to misuse, abuse, wear and tear, negligence or accident, repairs or alterations outside GROZ plants, or to lack of maintenance. GROZ shall in no event be liable for death, injuries to persons or property or for incidental, contingent, special or consequential damages arising from the use of its products. It is upto the user to determine suitability and safety of the product for their intended use, and the user assumes all risks and liability herewith.

In no event, shall GROZ's liability exceed the invoiced cost of the product. In case of identification of defect covered under this warranty, the same must be notified in writing to GROZ /GROZ designated authorized service location. Proof of purchase date must accompany the complaint. GROZ reserves the right to call back the faulty unit, all charges including transportation prepaid. On verification of the defect, the unit will be repaired or replaced with a new or reconditioned product or part of equal utility or a full refund given at GROZ's discretion. The repaired /replaced units will be returned to the user freight prepaid, using most economical freight carrier. However if determined that the defect resulted from causes not within the scope of the warranty, then the cost of returning the product would be to buyer's account.

Groz Engineering Tools (P) Ltd. Groz Net Industries


Village Kherki Daula, National Highway-8,
Gurugram-122001, Haryana, INDIA

Tel +91.124.282.7734/40, 2827777

Fax +91.124.2827980, 2827986

E-Mail info@groz-tools.com

Url www.groz-tools.com

The GROZ name, GROZ logo and the  mark are trademarks of GROZ Engineering Tools (P) Ltd., India