

Angular Machine Vices Super Precision

AMV-SP

Ideal for applications wherein the work piece requires machining at an angle

Angular adjustment is achieved via the angular slide that can be set to any desired angle 45° on either sides.

Fully graduated 360° swivel base allows the vice to be set at any angle along the vertical axis

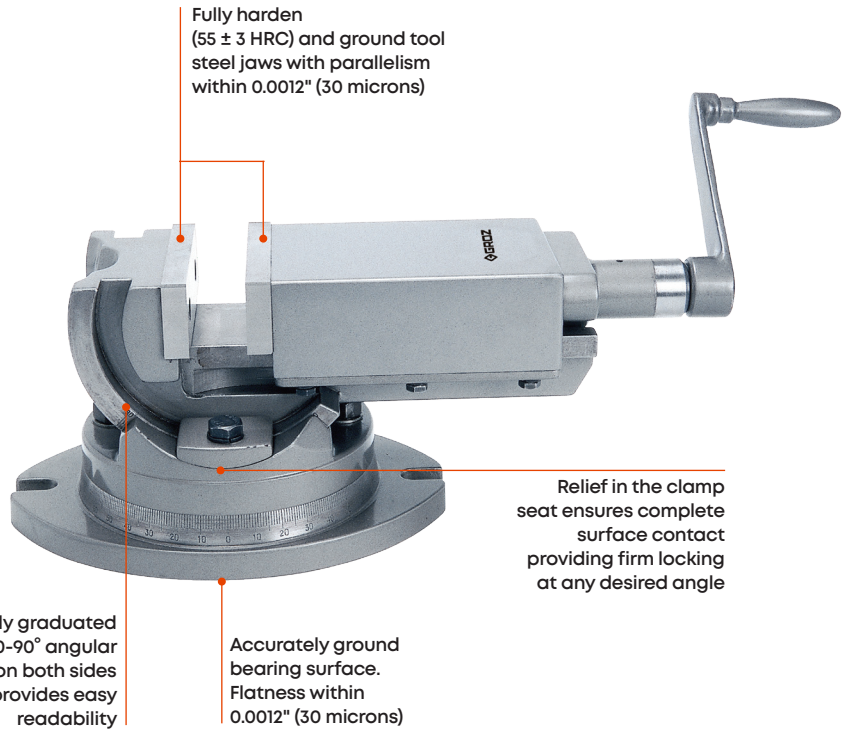
Manufactured from close grained hi-tensile seasoned cast iron with fully hardened and ground tool steel jaws

Ergonomically designed all steel handle for stress free operation. Assembled on the spindle crank with a spring loaded mechanism providing positive grip

Fasteners provides strength and rigidity to these vices

Relief in clamp seat ensures complete surface contact as against a line contact between the "Hold Down" clamp and movable slide, thereby providing firm locking at any desired angle

Milled slot in the vice base helps in accurate location of the vice on the machine table using rectangular locating nuts



Rotation along 360° swivel base



Rotation along 0-90° vertical scale

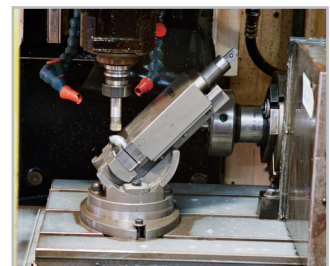


Combined rotation along both the horizontal and vertical axes

ORDERING INFORMATION

CAT NR.	ORD NR.	JAW WIDTH		JAW OPENING		JAW DEPTH		NET WEIGHT (KG)	BOX QTY.
		(INCH)	(MM)	(INCH)	(MM)	(INCH)	(MM)		
AMV/SP/50	35000	2	50	2	50	1	25	3.5	6
AMV/SP/75	35001	3	75	3	75	1-5/16	34	9.5	4
* AMV/SP/100	35002	4	100	4	100	1-1/2	38	17.0	1
AMV/SP/125	35003	5	125	5	125	1-3/4	45	29.4	1
* AMV/SP/150	35004	6	150	6	150	1-3/4	45	35.5	1

* Best Seller



The Angular Machine Vice being used for 45° face milling