

# Hexagon Key Sets S2 Steel

ALN-HXB7 ALN-HX9L  
ALN-HX9EL

Hexagonal keys are most widely used in automotive workshops, garages & in several industrial applications

GROZ offers a wide range of hex key sets for use by mechanic's and technicians worldwide

These are available in two material types:

### S2 STEEL:

Superior S2 steel construction. Hardened and tempered with corrosion resistant bright nickel plating

Hardness: 50-52 HRC



### ALN/HX-BL/7L/GRZ 7 Hex Keys With Ball End - Long - Metric

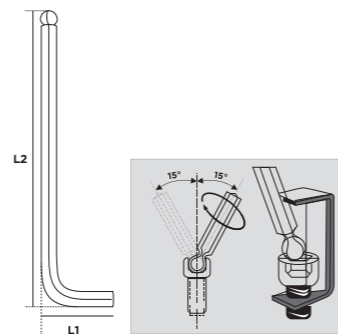
ORD NR. 36101  
BOX QTY. 60

Chamfered hex end for convenience in usage

Ball end permits easy access in tight, hard to reach spaces - upto 30° angle in recess from the screw head



HEX (MM)	L1 (MM)	L2 (MM)
2.5	20	86
3.0	22	91
4.0	27	103
5.0	32	118
6.0	37	139
8.0	43	155
10.0	49	177



### ALN/HX-BL/9EL/GRZ 9 Hex Keys with Ball End - Extra Long - Metric

ORD NR. 36103  
BOX QTY. 48

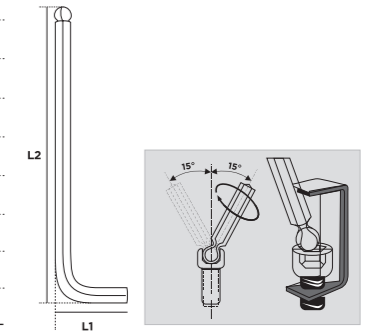
Chamfered hex end for convenience in usage

Ball end permits easy access in tight, hard to reach spaces - upto 30° angle in recess from the screw head

Extra long arm for easy access in confined spaces



HEX (MM)	L1 (MM)	L2 (MM)
1.5	15	91
2.0	17	101
2.5	20	113
3.0	22	127
4.0	27	142
5.0	32	163
6.0	37	184
8.0	43	205
10.0	49	233



### ALN/HX-BL/7L/SAE/GRZ 7 Hex Keys with Ball End - Long - SAE

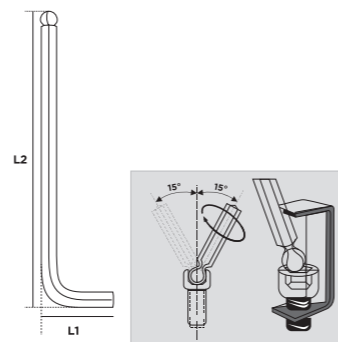
ORD NR. 36104  
BOX QTY. 60

Chamfered hex end for convenience in usage

Ball end permits easy access in tight, hard to reach spaces - upto 30° angle in recess from the screw head



HEX (INCH)	L1 (INCH)	L2 (INCH)
3/32	5/8	2-1/64
1/8	45/64	2-13/64
5/32	53/64	2-33/64
3/16	15/16	2-3/4
1/4	1-1/16	3-3/16
5/16	1-17/64	3-47/64
3/8	1-11/32	4-1/4



### ALN/TX-TX/9L/GRZ 9 Torx Star Keys - Long

ORD NR. 36102  
BOX QTY. 40

Compatible with standard TORX fixing systems



TORX	L1 (MM)	L2 (MM)
T10	18	86
T15	20	90
T20	20.5	94
T25	20.5	100
T27	21	105
T30	24	114
T40	26.5	123.5
T45	29.5	132.5
T50	32.5	151

